

TOP BOX (MANUAL)

Accessory Name	Parts Number	Application Model	Issue Date	Publication No.	FRT
TOP BOX (MANUAL)	08L73-MKT-D00	XL750	2023.1	MII	0.4 H
	08M70-MJE-D03				

Introduction







ALL INFORMATION, ILLUSTRATIONS, DIRECTIONS AND SPECIFICATIONS INCLUDED IN THIS PUBLICATION ARE BASED ON THE LATEST PRODUCT INFORMATION AVAILABLE AT THE TIME OF APPROVAL FOR PRINTING. Honda Motor Co., Ltd. RESERVES THE RIGHT TO MAKE CHANGES AT ANY TIME WITHOUT NOTICE AND WITHOUT INCURRING ANY OBLIGATION WHATSOEVER. NO PART OF THIS PUBLICATION MAY BE REPRODUCED WITHOUT WRITTEN PERMISSION. THIS MANUAL IS WRITTEN FOR PERSONS WHO HAVE ACQUIRED BASIC KNOWLEDGE OF MAINTENANCE ON Honda MOTORCYCLES, MOTOR SCOOTERS OR ATVS.

Honda Dealer:
Please give a copy of these instructions to your customer.

Customer:
Because it requires specialized knowledge and special tools and equipment, it is recommended to install it at a dealer with qualified automobile maintenance.

How To Read These Symbols

Your safety, and the safety of others, is very important. To help you make informed decisions we have provided safety messages and other information throughout this manual.

-  **WARNING** You CAN be KILLED or SERIOUSLY HURT if you don't follow instructions.
-  **CAUTION** You CAN be HURT if you don't follow instructions.
-  **NOTICE** The purpose of this message is to help prevent damage to your vehicle, other property, or the environment.
-  **NOTE** Things you want to know, things that are useful to know.
-  Follow the instructions of the Service Manual.
-  Follow the other symbol instructions of the "Installation Instructions BASIC".

Instruction Other Symbols

The symbols used throughout this instructions show specific service procedures. Refer to "Installation Instructions BASIC" for description of each symbol.

INFORMATION

CAUTION

- To prevent burns, allow the engine, exhaust system, radiator, etc., to cool before installing and removing the accessory.

NOTICE

- Take care not to damage the painted surfaces of the motorcycle.

NOTE:

- Save all removed parts unless otherwise indicated.

MAXIMUM LOADING CAPACITY

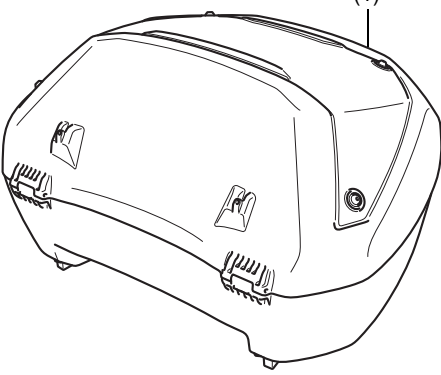
- The weight of the cargo must not exceed the following maximum loading capacity:

Maximum Loading Capacity	
Top box (manual)	6.0 kg (13.2 lb)

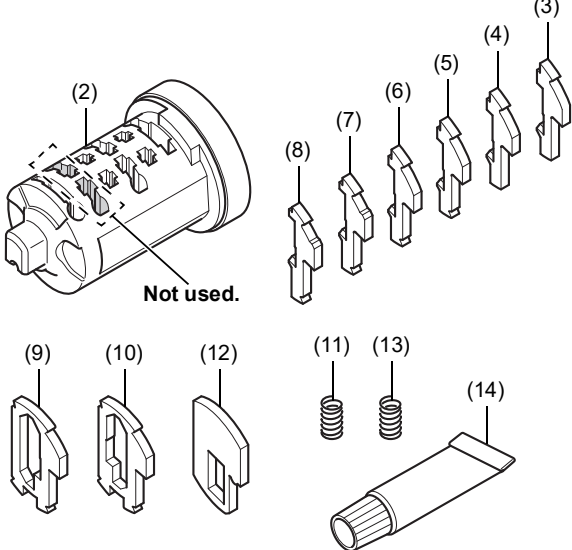
PARTS LIST

When the instruction manual and installation instructions are included in this kit, be sure to give them to the customer.

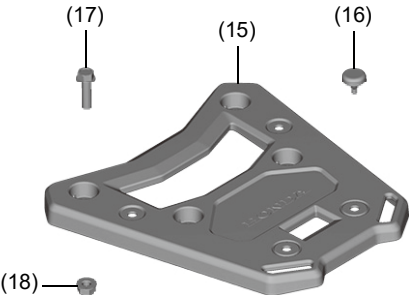
<TOP BOX (MANUAL)>

Component	No.	Parts Name	Qty	Parts No.
	(1)	Top box (manual)	1	-
		• CORD, STOPPER 235MM	2	08L63-MKS-E00

<1 KEY INNER CYLINDER (Wave key type)>

Component	No.	Parts Name	Qty	Parts No.
	(2)	Inner cylinder	1	-
	(3)	No.1 tumbler	6	-
	(4)	No.2 tumbler	6	-
	(5)	No.3 tumbler	6	-
	(6)	No.4 tumbler	6	-
	(7)	No.5 tumbler	6	-
	(8)	No.6 tumbler	6	-
	(9)	Sub-lock tumbler A	1	-
	(10)	Sub-lock tumbler B	1	-
	(11)	Spring (Silver)	13	-
	(12)	Stopper tumbler	2	-
	(13)	Stopper spring (Black)	2	-
	(14)	Grease	1	-

<TOP BOX BASE>

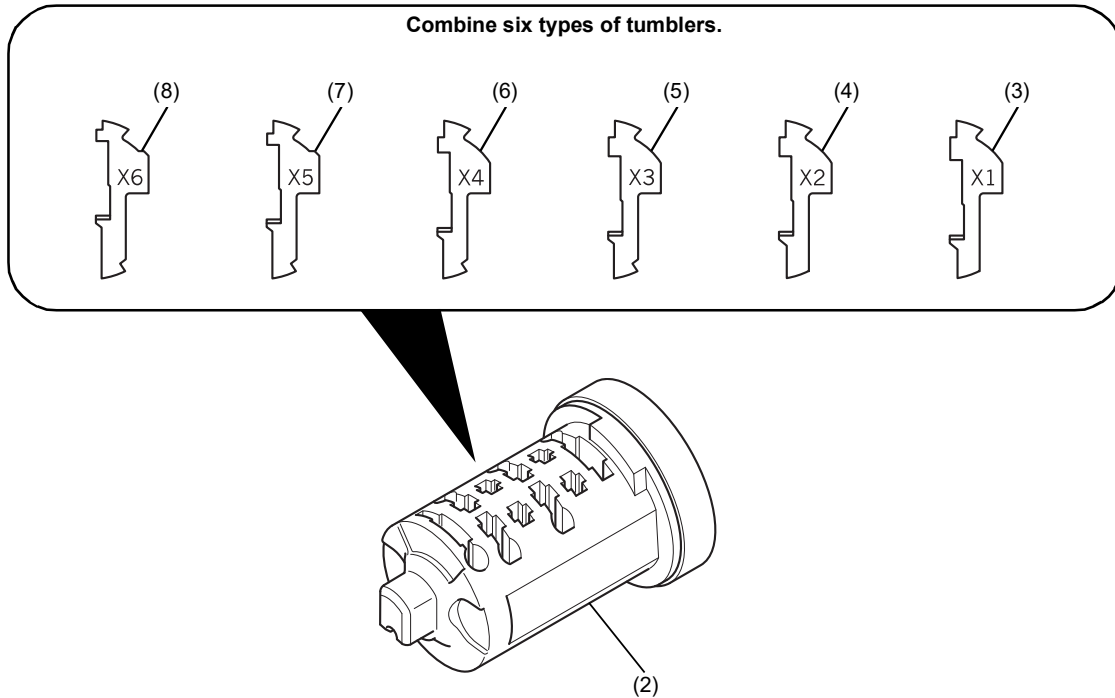
Component	No.	Parts Name	Qty	Parts No.
 <p>For the installation, refer to the Installation Instructions of the accessory.</p>	(15)	Top box base	1	-
	(16)	Stopper rubber	4	81213-MKS-E00
		• SET, STOPPER RUBBER	1	08L35-MKT-D00
	(17)	8 x 30 mm flange bolt	4	95701-08030-00
	(18)	8 mm flange nut	4	90309-KF0-003

TORQUE INFORMATION

Refer to the Service Manual for the torque values including standard torque of the removed parts. (🔧)

< Notes regarding the key cylinder >

- This product is used to assemble a key cylinder matching the motorcycle key by combining six types of tumblers.
- When this key cylinder is installed in a box or similar equipment, the installed equipment can be operated with the motorcycle key.



INSTALLATION

1. The two sub-lock tumbler types shown are provided.

- The part has a different slot for each of the two sub-lock tumbler types.
- As the tumblers are small, keep them in the bag until they are used.


(9) (10)

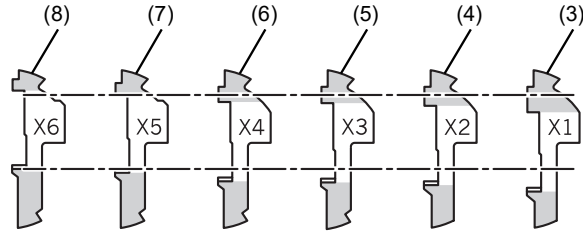
5A 5B

The stopper tumbler (12) will be used later.

(12)

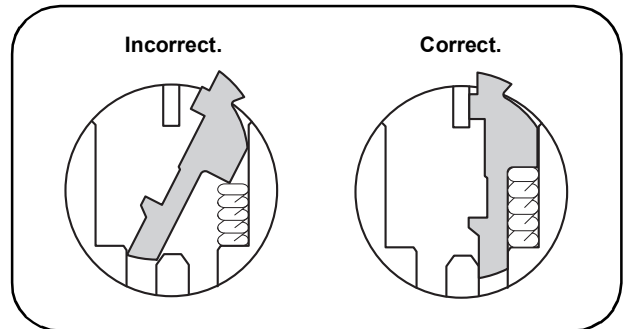
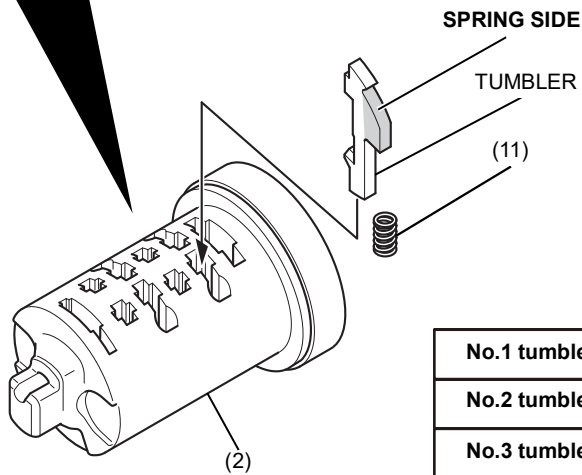
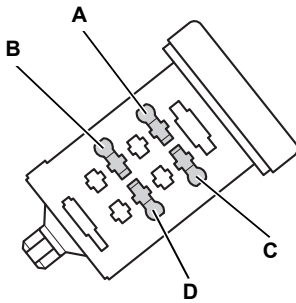
INSTALLATION IMAGE

2. The six tumbler types shown are provided.
- The  parts have differences as shown.
 - As the tumblers are small, keep them in the bag until they are used.



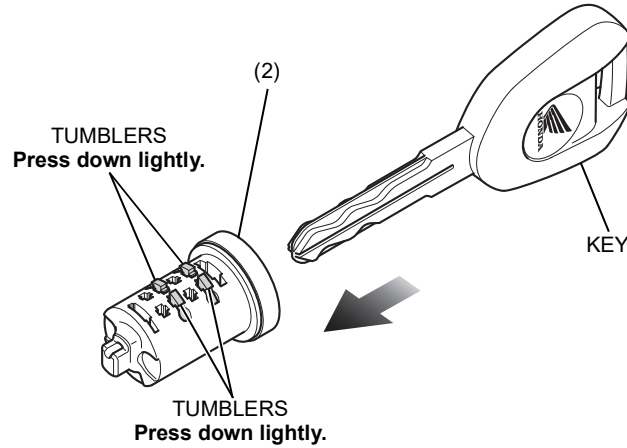
3. Install the tumblers and springs (silver) as shown.
- First install four No.1 tumblers.
 - Note the installed tumbler to below chart.

Insert tumblers and springs at the shaded positions.

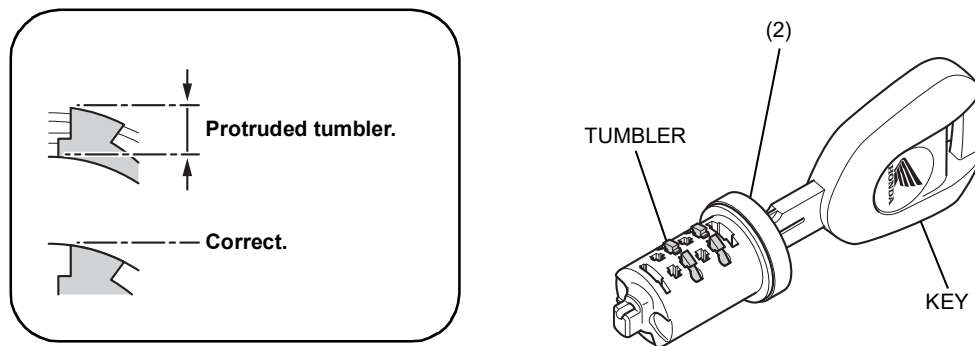


	Position A	Position B	Position C	Position D
No.1 tumbler				
No.2 tumbler				
No.3 tumbler				
No.4 tumbler				
No.5 tumbler				
No.6 tumbler				

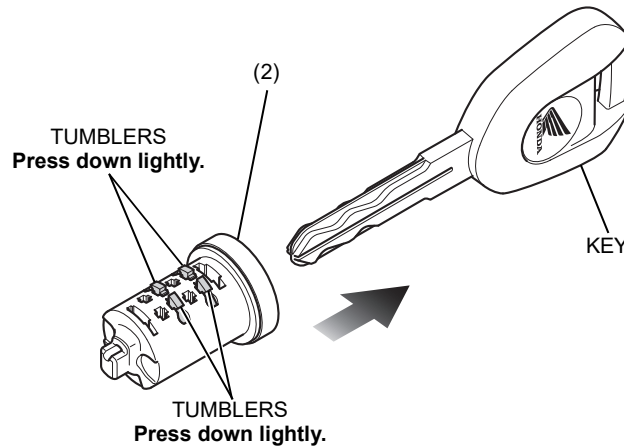
4. Insert the key as shown.
- Lightly press down on the tumblers from above, then insert the key.



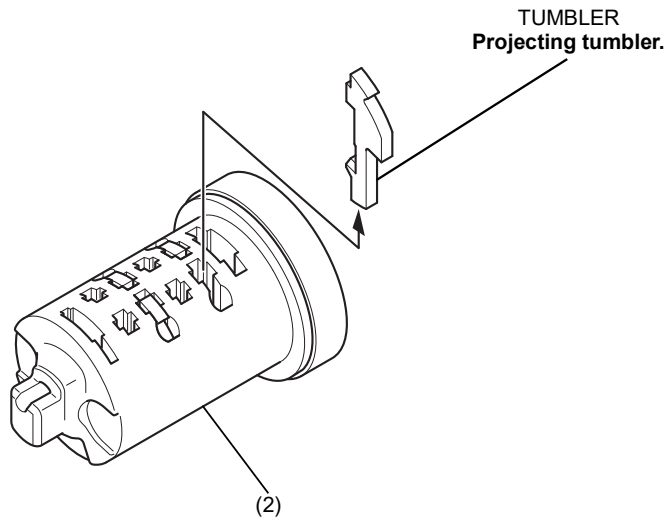
5. Confirm that some tumblers are projecting. Mark the positions of the projected tumblers.
- The positions where tumblers project and the projecting height differ according to the key.



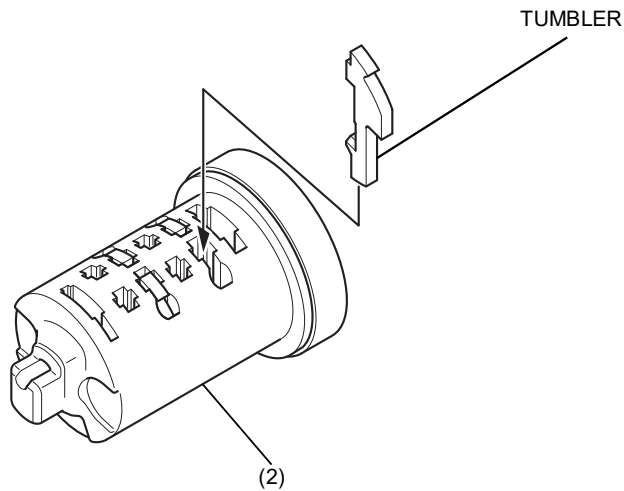
6. Press down lightly on the tumblers, pull the key out.
- The tumbler springs may jump out if the tumblers are not pressed down lightly.



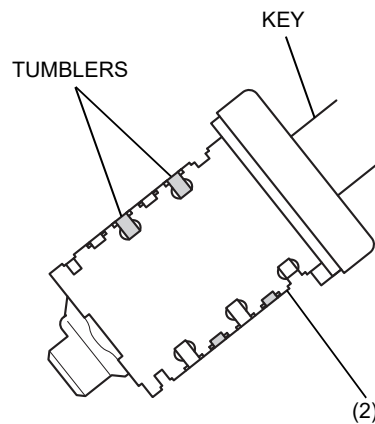
7. Pull out the projecting tumbler(s).
• **Leave the spring(s) installed.**



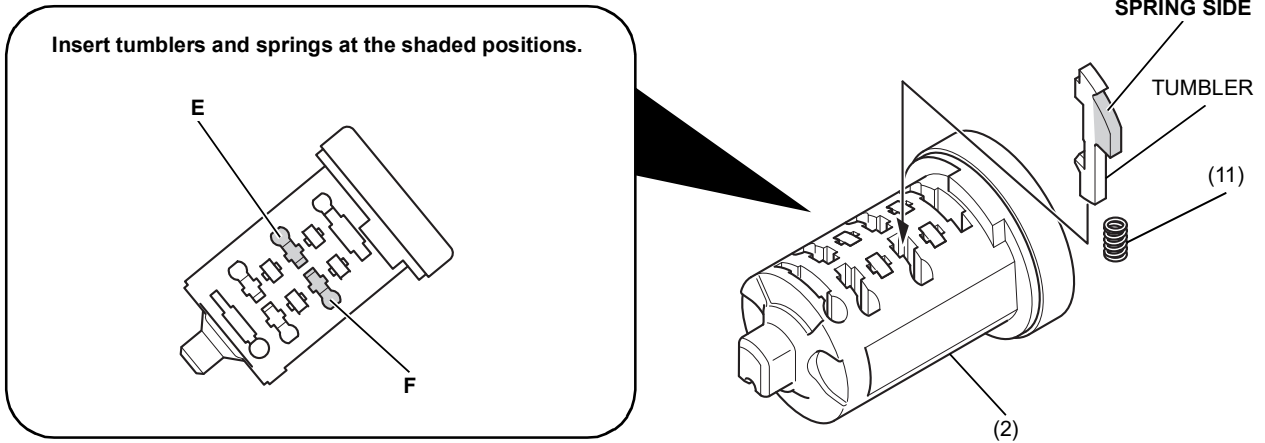
8. Insert a different tumbler(s) at the marked positions.
• **Use a tumbler of next number one stage.**



9. Repeat steps 4 to 8, inserting different tumblers at the marked positions until no tumblers are projected.
• **Lightly press down on the tumblers from above, then insert the key.**



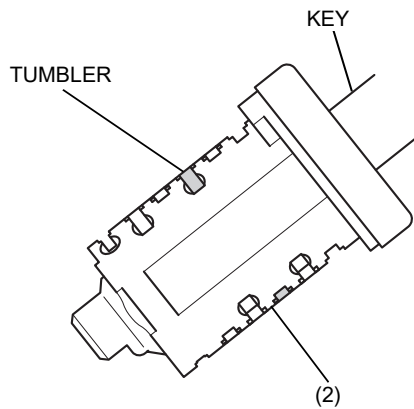
10. Install the tumblers and springs (silver) to the reverse side inner cylinder as shown.
 • **First install two No.1 tumblers.**



· Note the installed tumbler to below chart.

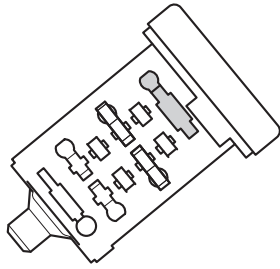
	Position E	Position F
No.1 tumbler		
No.2 tumbler		
No.3 tumbler		
No.4 tumbler		
No.5 tumbler		
No.6 tumbler		

11. Use steps 4 through 8 to assemble the reverse side inner cylinder in the same manner.



12. Install the sub-lock tumbler as shown.

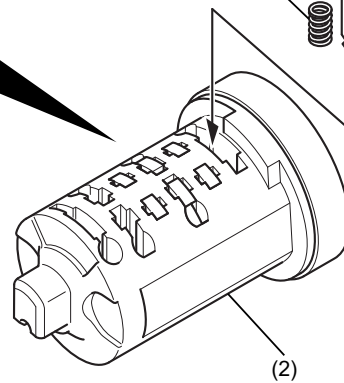
Insert sub-lock tumbler and spring at the shaded position.



SPRING SIDE

SUB-LOCK TUMBLER

(11)



· Note the installed tumbler to below chart.

Sub-lock tumbler A	
Sub-lock tumbler B	

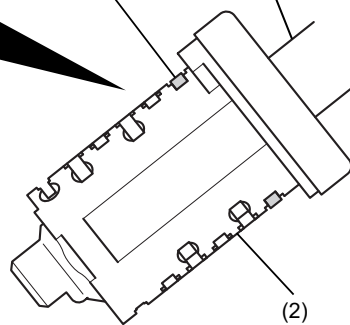
13. Confirm that sub-lock tumbler is not projecting.
 • If the tumbler is projected, change the another sub-lock tumbler and recheck.

Not projection.

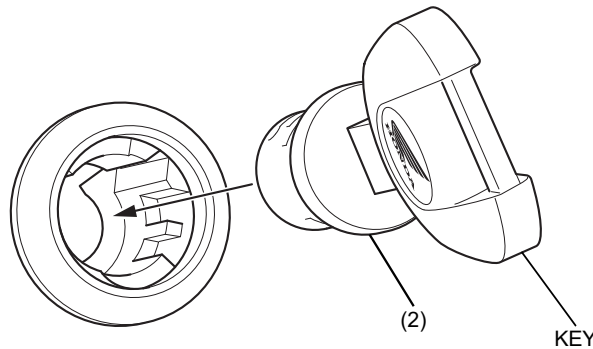
Not projection.

SUB-LOCK TUMBLER

KEY



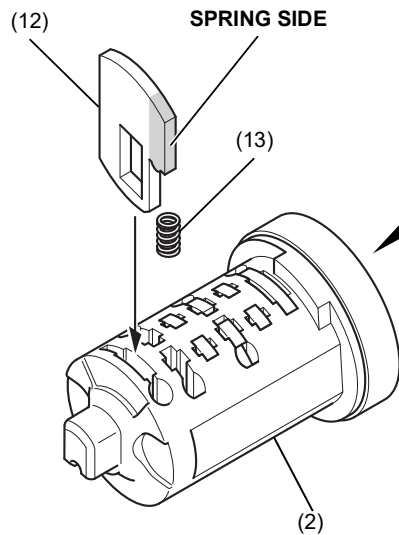
14. Install as shown.
 • Confirm that the inner cylinder turns clockwise smoothly.



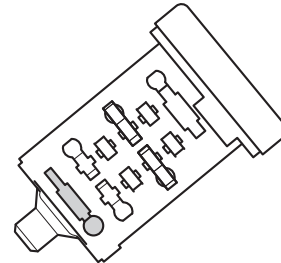
Installation Instructions

15. Pull out the inner cylinder (2), and press down lightly on the tumblers and pull out the key.

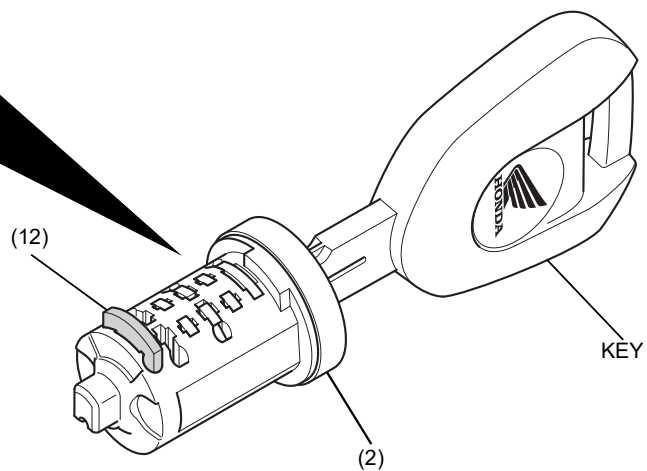
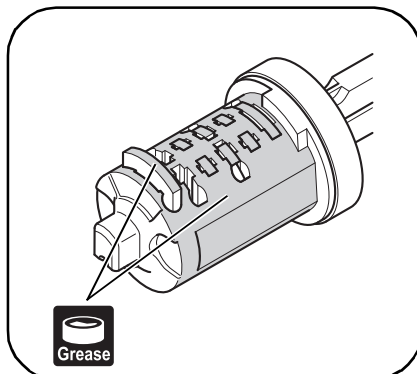
16. Install as shown.



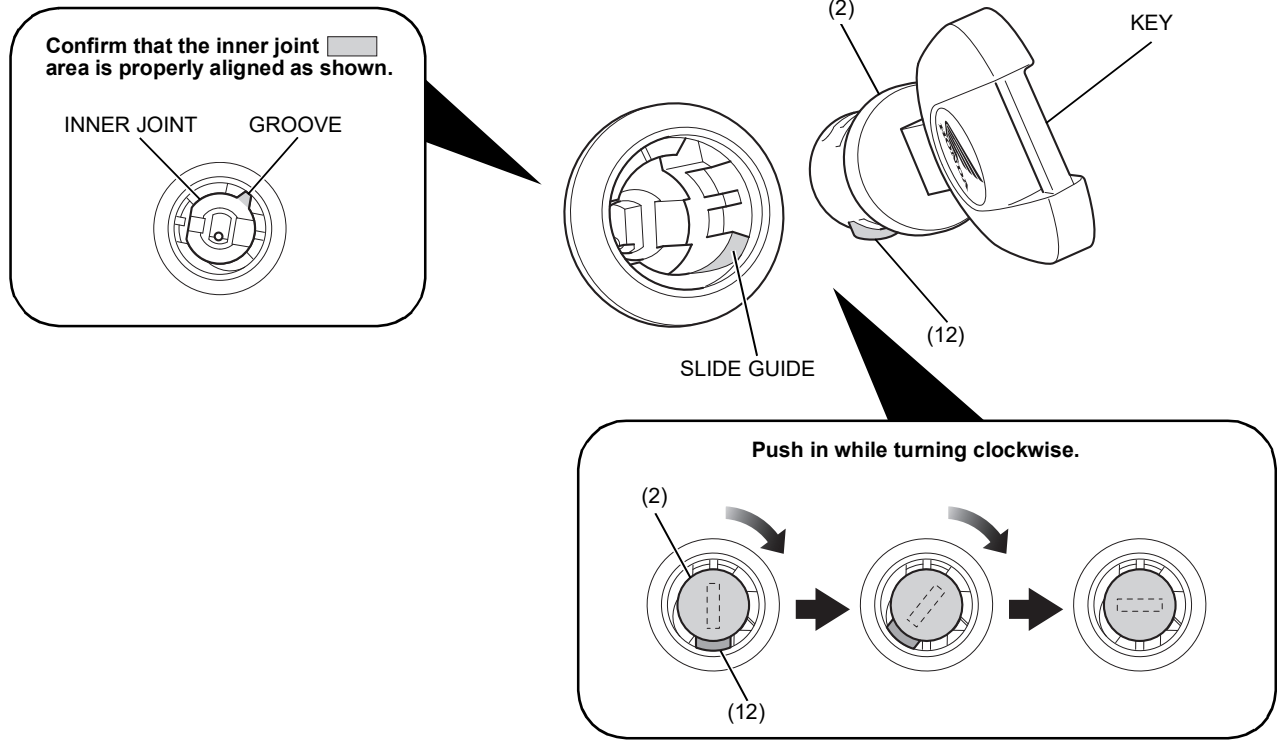
Insert the stopper tumbler (12) and a stopper spring (13) at the shaded position.



17. Insert the key as shown.
• Lightly press down on the tumblers from above, then insert the key.
• Confirm that the stopper tumbler jumps out.



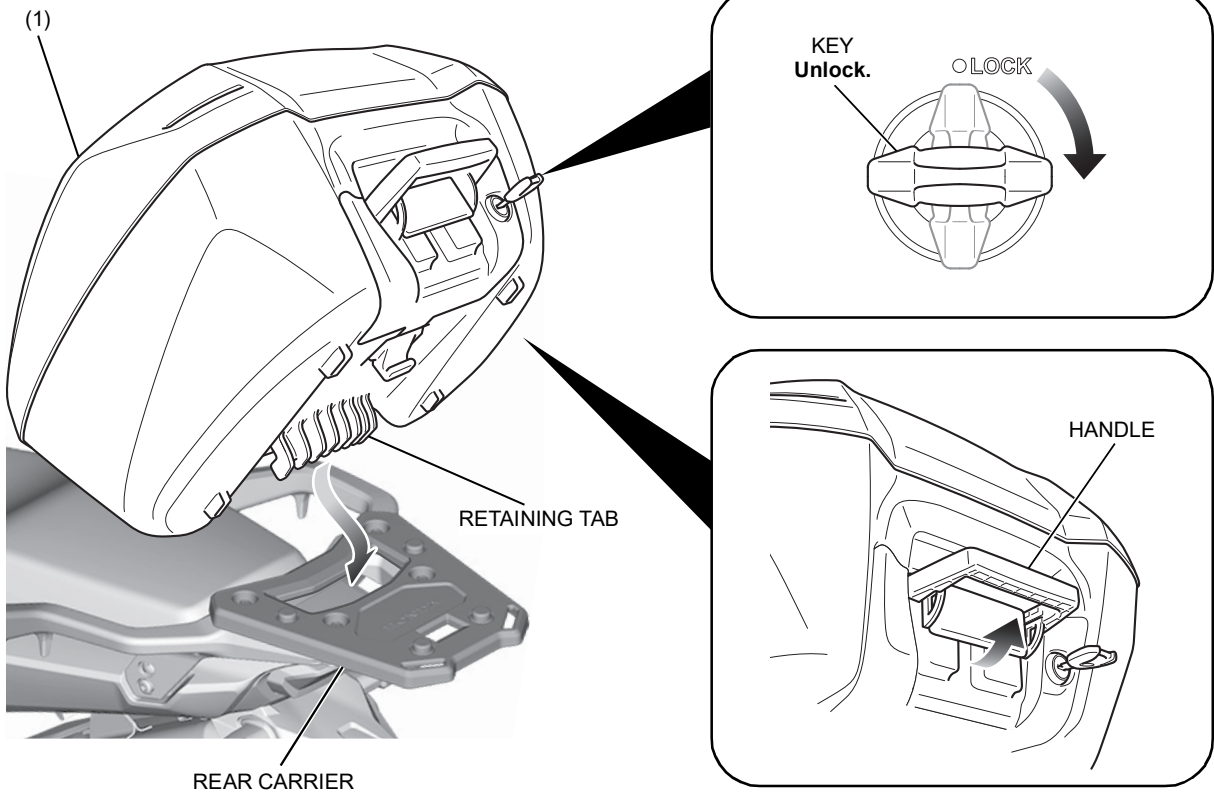
18. Install as shown.
 • If the inner cylinder cannot be inserted, again confirm that no tumblers other than the stopper tumbler have jumped out.



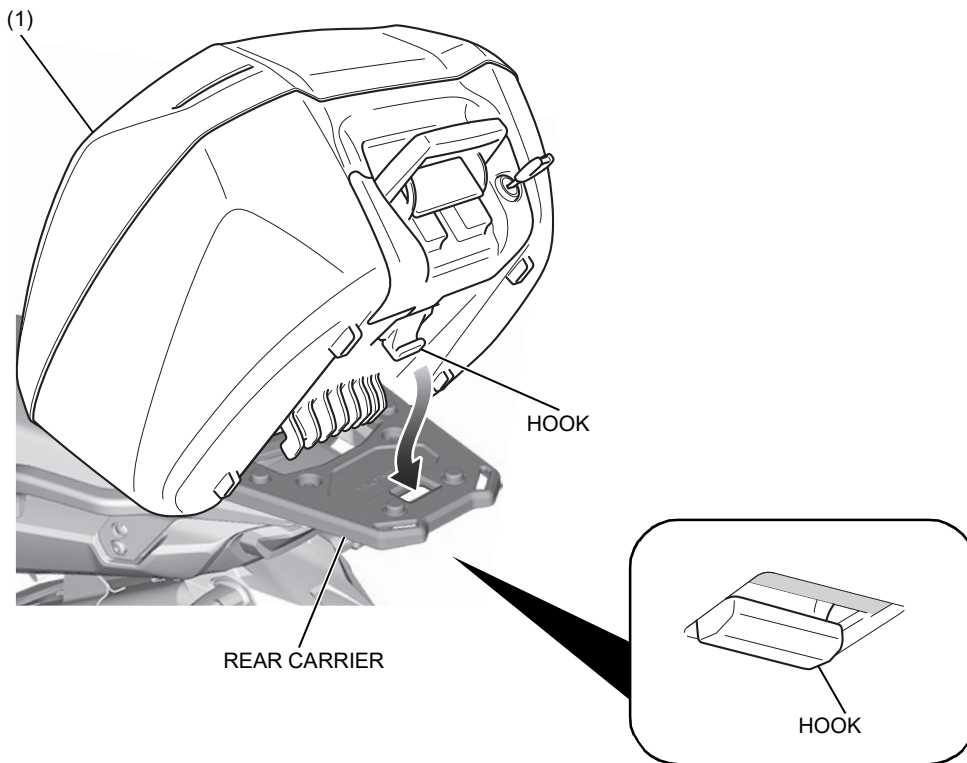
19. Draw out the key and check that the inner cylinder does not come out.

20. Refer to the installation instruction manual for the top box base, install the top box base.

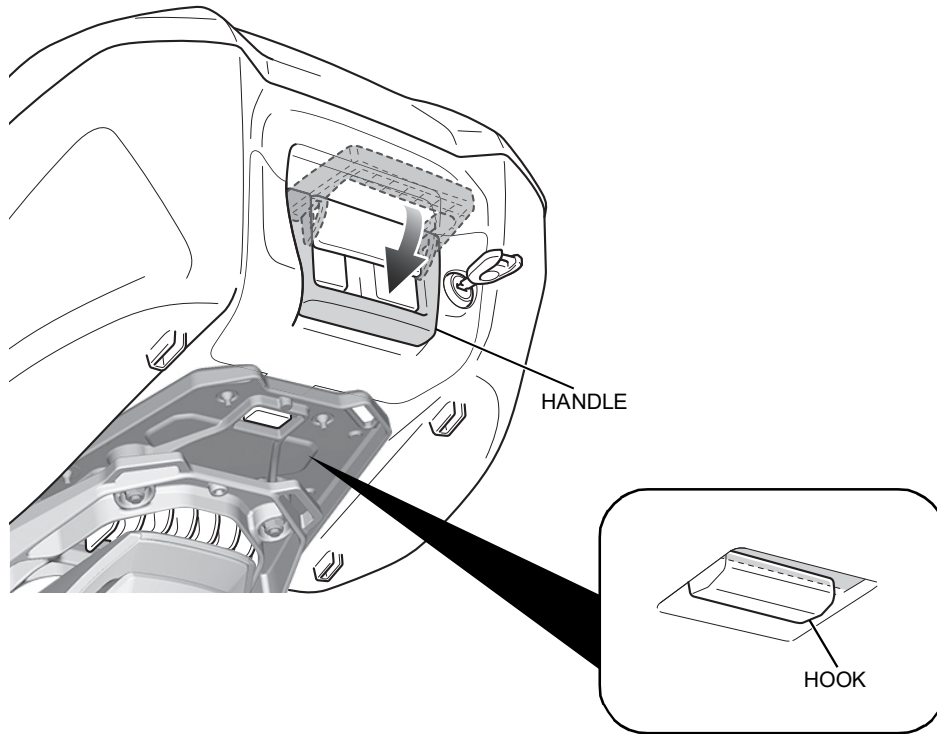
21. Install as shown.



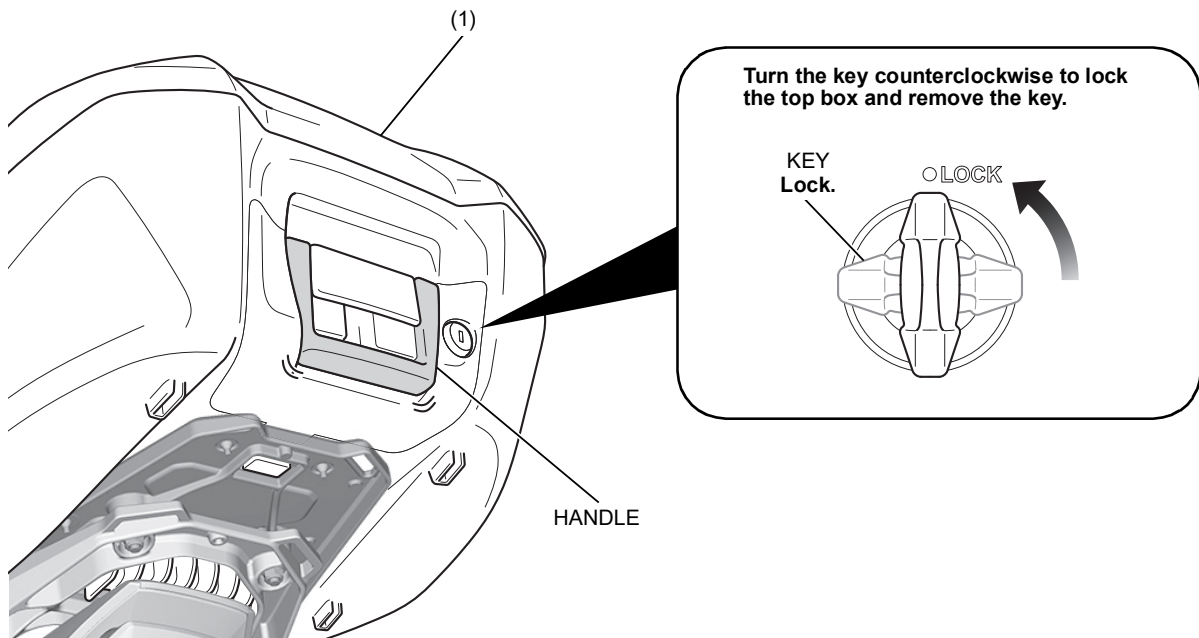
22. Install as shown.



23. Secure the hook by lower the handle as shown.



24. Be sure that handle cannot be released.



Installation Instructions

25. Check that the top box is installed securely by swinging the top box taking care not to fall the motorcycle down.
- The top box can come off while riding if it is not mounted securely.

26. Remove as shown.

